

N·X·S
PHILIPPINES

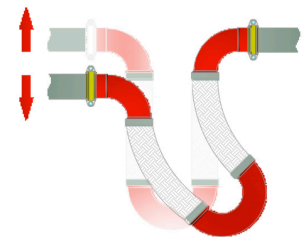
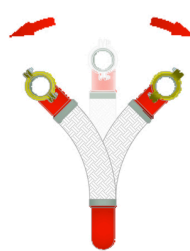
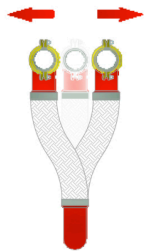
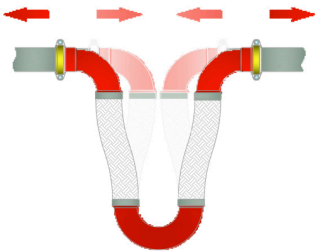
**SEISMIC SOLUTIONS
FOR FIRE SPRINKLER SYSTEMS**



U-FLEX



V-FLEX



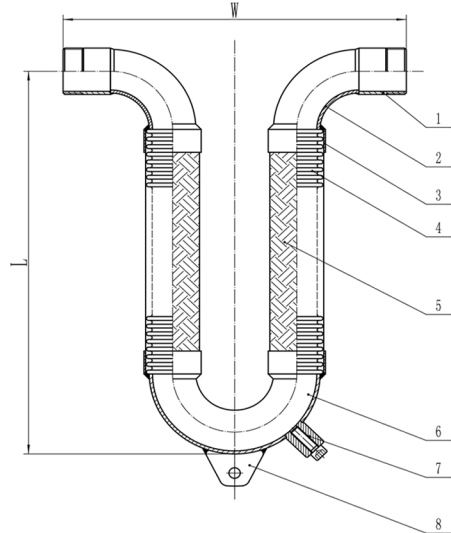
Stainless Steel Flexible Joint

EHUT Threaded U-Flex

Used to absorb the movements caused by the potential break downs and depressions especially where the seismic movements may cause hazardous results.

Construction

Item	Parts	Material	Remark
1	Threads	Carbon Steel	SUS304/316/321
2	90° Elbow	Carbon Steel	SUS304/316/321
3	Seal Ring	SUS304	SUS316/321
4	Bellows	SUS304	SUS316/321
5	Braids	SUS304	
6	180° Elbow	Carbon Steel	SUS304/316/321
7	Weep Hole	Carbon Steel	SUS304/316/321
8	Fixing Holder	Carbon Steel	SUS304/316/321



Specification

Nominal Bore		L	W	Movement	Working Pressure
ins	mm	(mm)	(mm)	(mm)	(psi)
1/2	15	350	250	150	200
3/4	20	380	260	150	200
1	25	380	260	150	200
1 1/4	32	420	300	150	200
1 1/2	40	480	350	150	200
2	50	600	420	150	200

The size, total length and pressure tabulated above are standard. We can also produce products according your requirement.

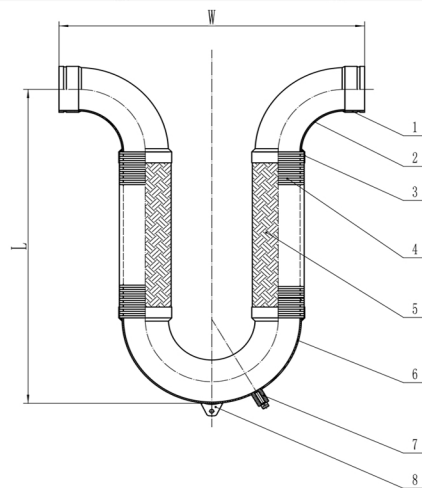
Stainless Steel Flexible Joint

EHUG Grooved U-Flex

Used to absorb the movements caused by the potential break downs and depressions especially where the seismic movements may cause hazardous results.

Construction

Item	Parts	Material	Remark
1	Grooved Tube End	Carbon Steel	SUS304/316/321
2	90° Elbow	Carbon Steel	SUS304/316/321
3	Seal Ring	SUS304	SUS316/321
4	Bellows	SUS304	SUS316/321
5	Braids	SUS304	
6	180° Elbow	Carbon Steel	SUS304/316/321
7	Weep Hole	Carbon Steel	SUS304/316/321
8	Fixing Holder	Carbon Steel	SUS304/316/321



Specification

Nominal Bore		L	W	Movement	Working Pressure
ins	mm	(mm)	(mm)	(mm)	(psi)
2	50	600	420	150	200
2 1/2	65	700	540	150	200
3	80	750	600	150	200
4	100	875	750	150	200
5	125	1000	900	150	200
6	150	1150	1050	150	200
8	200	1400	1100	150	200
10	250	1545	1300	150	200
12	300	1720	1520	150	200

The size, total length and pressure tabulated above are standard. We can also produce products according to your requirements.

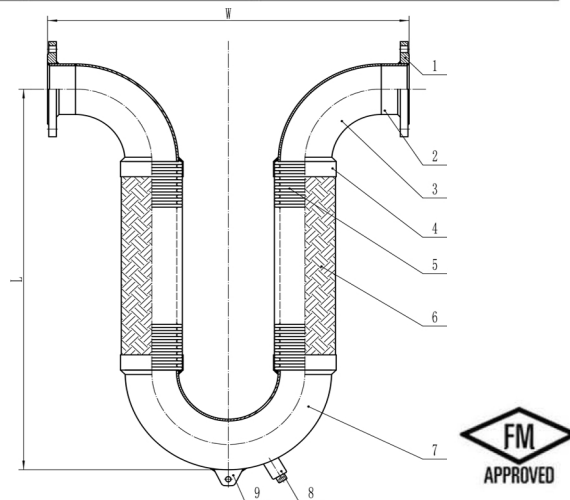
Stainless Steel Flexible Joint

EHUF Flanged U-Flex

Used to absorb the movements caused by the potential break downs and depressions especially where the seismic movements may cause hazardous results.

Construction

Item	Parts	Material	Remark
1	Flange	Carbon Steel	SUS304/316/321
2	Tube	Carbon Steel	SUS304/316/322
3	90° Elbow	Carbon Steel	SUS304/316/321
4	Seal Ring	SUS304	SUS316/321
5	Bellows	SUS304	SUS316/321
6	Braids	SUS304	
7	180° Elbow	Carbon Steel	SUS304/316/321
8	Weep Hole	Carbon Steel	SUS304/316/321
9	Fixing Holder	Carbon Steel	SUS304/316/321



Specification

Nominal Bore		L	W	Movement	Working Pressure
ins	mm	(mm)	(mm)	(mm)	(psi)
2	50	600	400	150	200
2 1/2	65	700	500	150	200
3	80	750	570	150	200
4	100	875	720	150	200
5	125	1000	900	150	200
6	150	1150	1050	150	200
8	200	1400	1100	150	200
10	250	1550	1200	150	200
12	300	1750	1400	150	200

The size, total length and pressure tabulated above are standard. We can also produce products according your requirement.

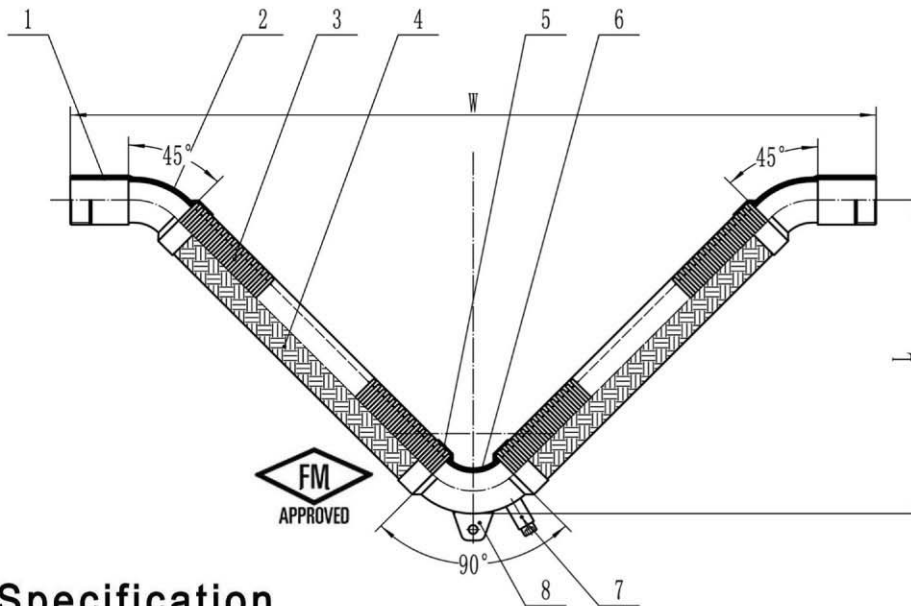
Stainless Steel Flexible Joint

EHVT Threaded V-Flex

Used to absorb the movements caused by the potential break downs and depressions especially where the seismic movements may cause hazardous results.

Construction

Item	Parts	Material	Remark
1	Threads	Carbon Steel	SUS304/316/321
2	45° Elbow	Carbon Steel	SUS304/316/321
3	Bellows	SUS304	SUS316/321
4	Braids	SUS304	
5	Seal Ring	Carbon Steel	SUS304/316/321
6	90° Elbow	Carbon Steel	SUS304/316/321
7	Weep Hole	Carbon Steel	SUS304/316/321
8	Fixing Holder	Carbon Steel	SUS304/316/321



Specification

Nominal Bore		L	W	Movement	Working Pressure
ins	mm	(mm)	(mm)	(mm)	(psi)
1/2	15	225	600	150	200
3/4	20	240	630	150	200
1	25	250	650	150	200
1 1/4	32	260	670	150	200
1 1/2	40	280	720	150	200
2	50	300	775	150	200

The size, total length and pressure tabulated above are standard. We can also produce products according your requirement.

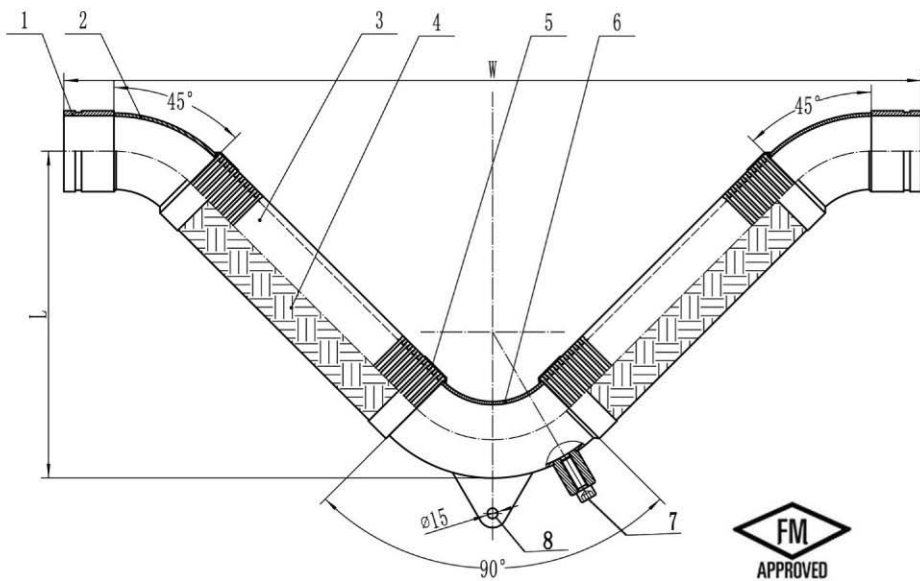
Stainless Steel Flexible Joint

EHVG Grooved V-Flex

Used to absorb the movements caused by the potential break downs and depressions especially where the seismic movements may cause hazardous results.

Construction

Item	Parts	Material	Remark
1	Grooved Tube End	Carbon Steel	SUS304/316/321
2	45° Elbow	Carbon Steel	SUS304/316/321
3	Bellows	SUS304	SUS316/321
4	Braids	SUS304	
5	Seal Ring	Carbon Steel	SUS304/316/321
6	90° Elbow	Carbon Steel	SUS304/316/321
7	Weep Hole	Carbon Steel	SUS304/316/321
8	Fixing Holder	Carbon Steel	SUS304/316/321



Specification

Nominal Bore		L	W	Movement	Working Pressure
ins	mm	(mm)	(mm)	(mm)	(psi)
2	50	300	775	150	200
2 1/2	65	350	950	150	200
3	80	400	1050	150	200
4	100	450	1300	150	200
5	125	500	1350	150	200
6	150	550	1450	150	200
8	200	600	1550	150	200
10	250	700	1800	150	200
12	300	800	2100	150	200

The size, total length and pressure tabulated above are standard. We can also produce products according to your requirement.

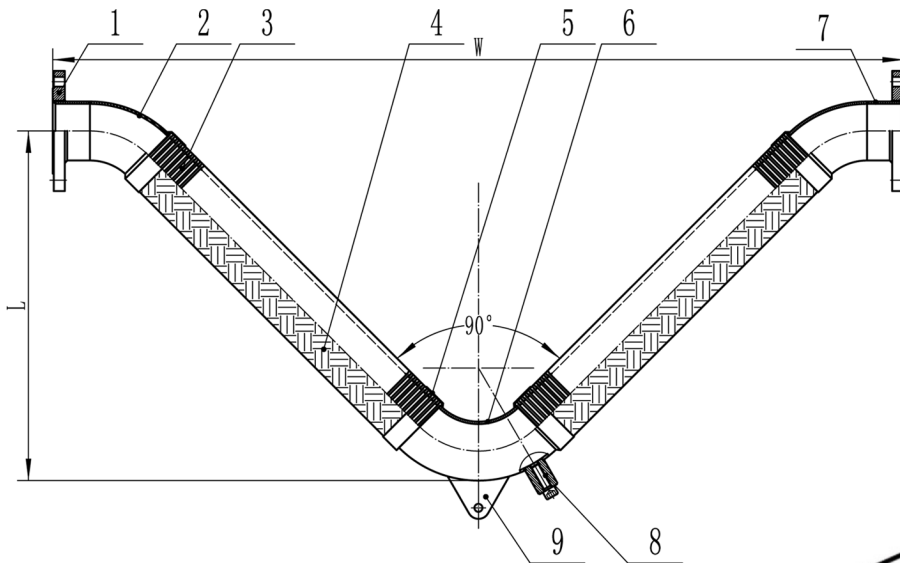
Stainless Steel Flexible Joint

EHV Flanged V-Flex

Used to absorb the movements caused by the potential break downs and depressions especially where the seismic movements may cause hazardous results.

Construction

Item	Parts	Material	Remark
1	Flange	Carbon Steel	SUS304/316/321
2	45° Elbow	Carbon Steel	SUS304/316/321
3	Bellows	SUS304	SUS316/321
4	Braids	SUS304	
5	Seal Ring	SUS304	SUS316/321
6	90° Elbow	Carbon Steel	SUS304/316/321
7	Tube	Carbon Steel	SUS304/316/321
8	Weep Hole	Carbon Steel	SUS304/316/321
9	Fixing Holder	Carbon Steel	SUS304/316/321



Specification



Nominal Bore		L	W	Movement	Working Pressure
ins	mm	(mm)	(mm)	(mm)	(psi)
2	50	300	775	150	200
2 1/2	65	350	950	150	200
3	80	400	1050	150	200
4	100	450	1300	150	200
5	125	500	1350	150	200
6	150	550	1450	150	200
8	200	600	1550	150	200
10	250	700	1800	150	200
12	300	800	2100	150	200

The size, total length and pressure tabulated above are standard. We can also produce products according your requirement.