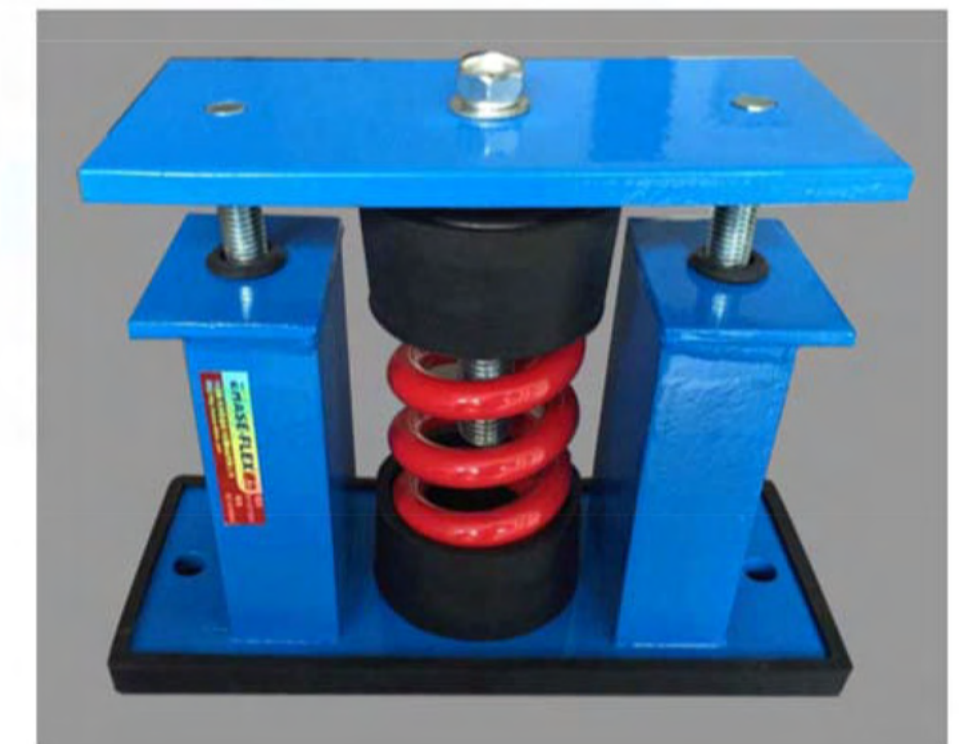


N·X·S PHILIPPINES

Spring Mount

PRODUCT SAMPLE BOOKS

The Art of Bellows



CONTACT US

0921-341-5401

sales@nxsphil.com.ph

B14 L4 Unit 2 Varisha Building, Silcas Village Brgy. San Francisco, Binan, Laguna



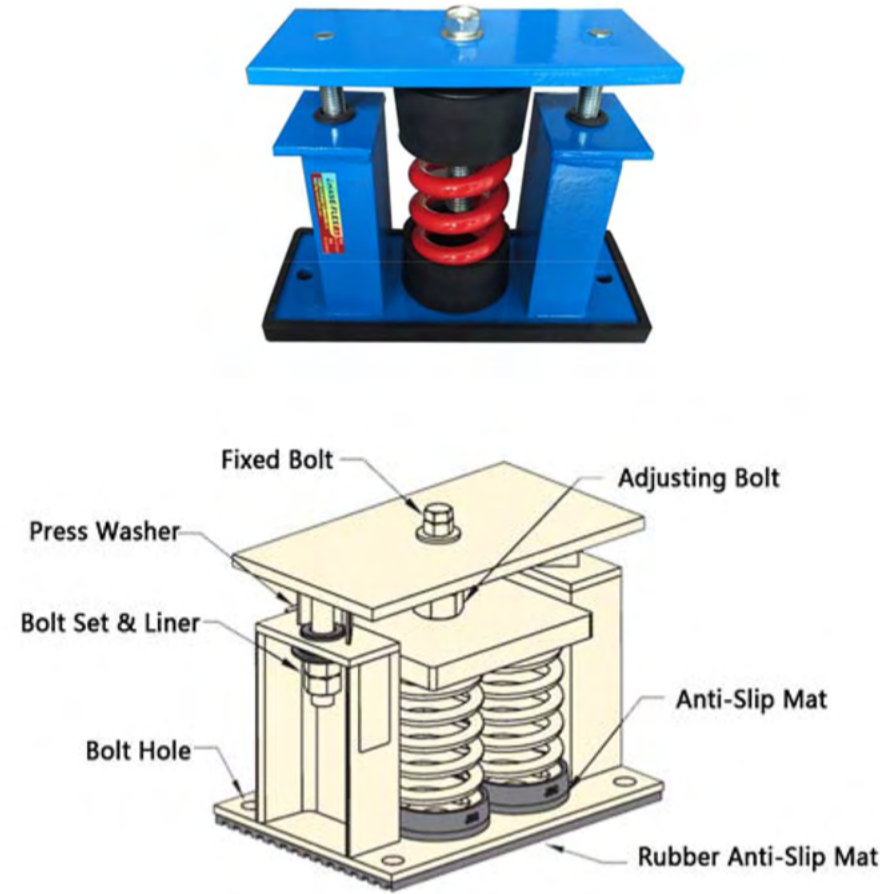
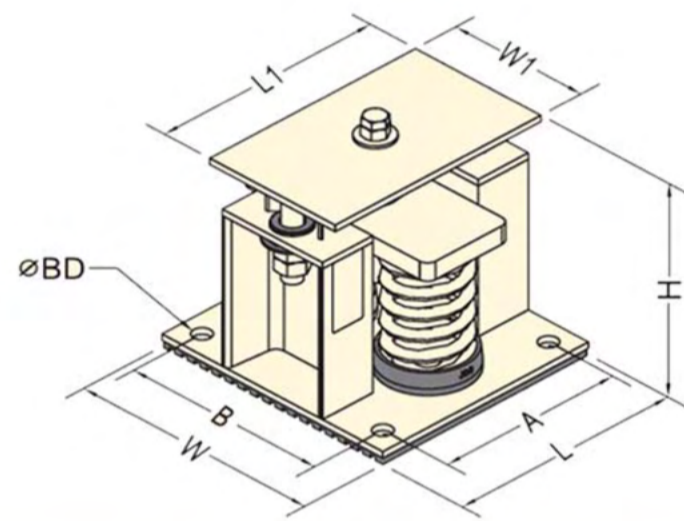
c @ u s
LISTED



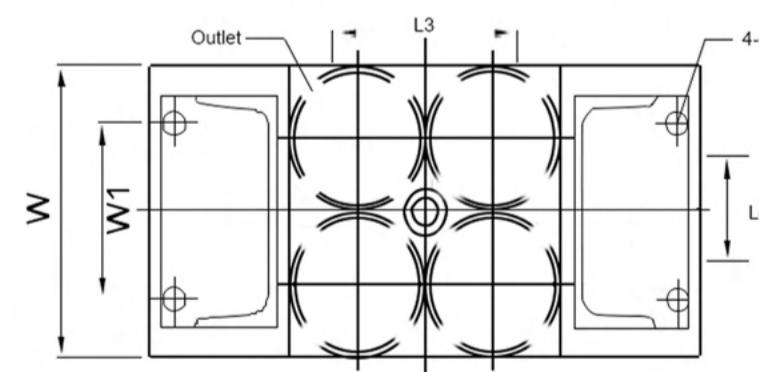
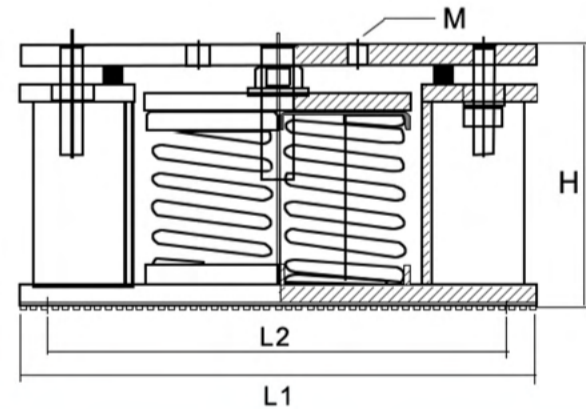
EH Spring Mount

Application:

- Heavy Machinery, Cooling Tower, Pump
- Electronic Alternator, Air Compressor



Style	Size(mm)								Fixed Bolt Size
	L	A	W	B	H	L1	W1	øBD	
EHA-1	260	230	100	0	200	225	100	14	M12
EHA-2	235	195	220	180	200	235	120	15	M12
EHA-4	320	290	200	90	200	200	200	17	M12
EHA-6	400	370	170	140	200	400	170	18	M12
EHA-9	420	380	250	210	200	420	250	18	M12



Style	Size(mm)								
	H	W	W1	L1	L2	L3	L4	M	d
EHB-1	210	100	60	260	215	70	70	M12	ø15
EHB-2	210	130	60	380	340	120	70	M16	ø18
EHB-4	220	200	60	380	340	120	70	M16	ø18
EHB-8	220	400	200	380	340	120	70	M16	ø18

*EHA(B)-1:One Spring

*EHA(B)-2:Two Springs Assemble

*EHA(B)-4:Four Springs Assemble

*EHA(B)-8:Eight Spring Assemble

*B=0 means hole central at W/2

EH Spring Mount

Style	Loading Capacity(kg)	Spring Rate(kg/mm)	Deflection(mm)
EHA-1-100	100	4	25
EHA-1-150	150	6	25
EHA-1-200	200	8	25
EHA-1-250	250	10	25
EHA-1-300	300	12	25
EHA-1-350	350	14	25
EHA-1-400	400	16	25
EHA-1-450	450	18	25
EHA-1-500	500	20	25
EHA-1-600	600	24	25
EHA-1-700	700	28	25
EHA-1-850	850	34	25
EHA-1-1000	1000	40	25
EHA-2-800	800	32	25
EHA-2-900	900	36	25
EHA-2-1000	1000	40	25
EHA-2-1200	1200	48	25
EHA-2-1400	1400	56	25
EHA-2-1700	1700	68	25
EHA-2-2000	2000	80	25
EHA-4-1400	1400	56	25
EHA-4-1600	1600	64	25
EHA-4-1800	1800	72	25
EHA-4-2000	2000	80	25
EHA-4-2400	2400	96	25
EHA-4-2800	2800	112	25
EHA-4-3200	3200	128	25
EHA-4-4000	4000	160	25

EH Spring Mount

Style	Loading Capacity(kg)	Spring Rate(kg/mm)	Deflection(mm)
EHA-6-3600	3600	144	25
EHA-6-4200	4200	168	25
EHA-6-5000	5000	200	25
EHA-6-6000	6000	240	25
EHA-9-4600	4600	184	25
EHA-9-5500	5500	220	25
EHA-9-6500	6500	260	25
EHA-9-7500	7500	300	25
EHA-9-9000	9000	360	25
EHA-9-10800	10800	432	25
EHB-1-100	100	2	50
EHB-1-200	200	4	50
EHB-1-300	300	6	50
EHB-1-400	400	8	50
EHB-1-500	500	10	50
EHB-1-600	600	12	50
EHB-1-700	700	14	50
EHB-1-800	800	16	50
EHB-1-900	900	18	50
EHB-1-1000	1000	20	50
EHB-2-1200	1200	24	50
EHB-2-1400	1400	28	50
EHB-2-1600	1600	32	50
EHB-2-1800	1800	36	50
EHB-2-2000	2000	40	50
EHB-4-2400	2400	48	50
EHB-4-2800	2800	56	50
EHB-4-3200	3200	64	50
EHB-4-3600	3600	72	50
EHB-4-4000	4000	80	50
EHB-8-4800	4800	96	50
EHB-8-5600	5600	112	50
EHB-8-6400	6400	128	50
EHB-8-7200	7200	144	50

EB Spring Mount

5/06

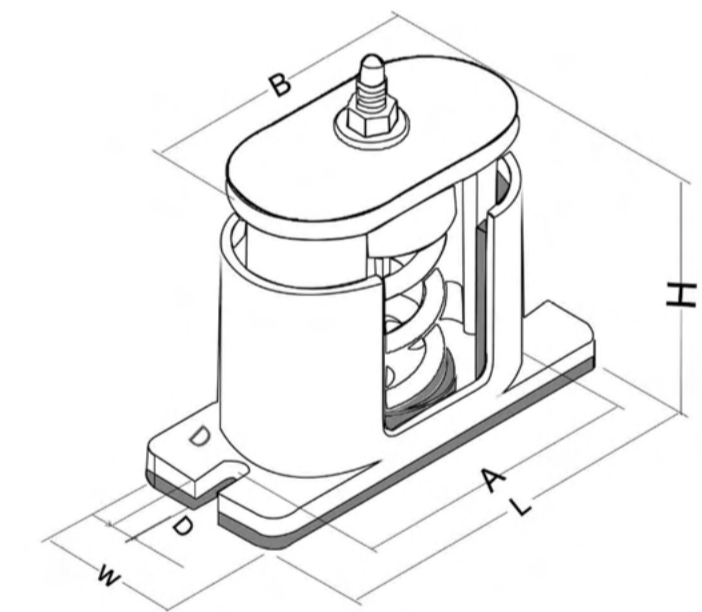
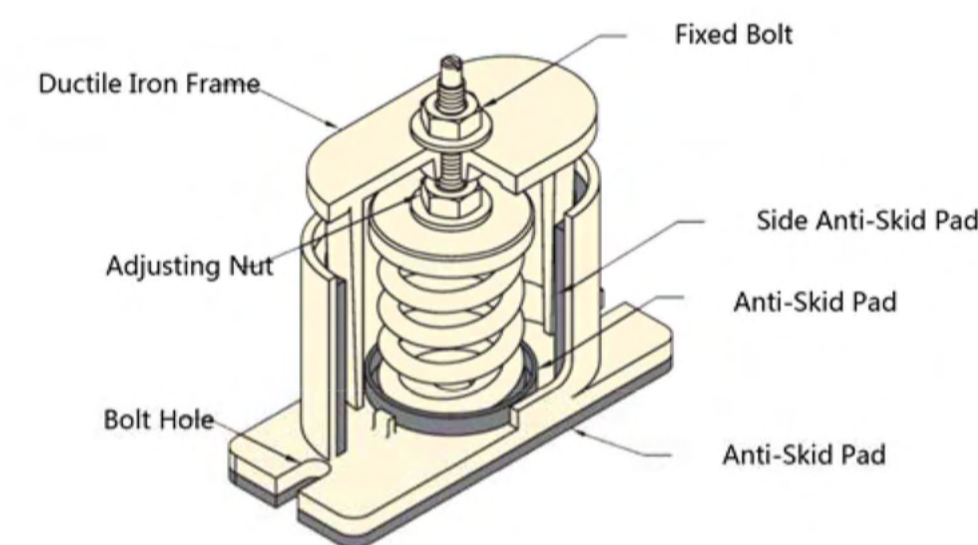
Feature:

- Ductile Iron Frame, Hot Dip Galvanization Finish
- Non-skid Neoprene Pad, Quick and Easy Installation
- Reduce Noise and Absorb Vibration
- Heavy-Duty Vibration Isolation



Application:

- Heavy Engines ,Pumps, Chillers, Boilers, Compressors, Generators,Fans



Type	Size (mm)						Fixed Bolt Size
	L	A	B	W	H	D	
EB-A	220	185	153	90	185	15x25	M14
EB-B	180	150	118	83	140	12x30	M12
EB-C	148	126	106	62	95	12x18	M12

Type	Loading Capacity(kg)	Spring Rate(kg/mm)	Deflection(mm)
EB-100-A	100	4	25
EB-150-A	150	6	25

EB Spring Mount

Type	Loading Capacity(kg)	Spring Rate(kg/mm)	Deflection(mm)
EB-200-A	200	8	25
EB-250-A	250	10	25
EB-300-A	300	12	25
EB-350-A	350	14	25
EB-400-A	400	16	25
EB-450-A	450	18	25
EB-500-A	500	20	25
EB-600-A	600	24	25
EB-700-A	700	28	25
EB-850-A	850	34	25
EB-1000-A	1000	40	25
EB-250-B	250	10	25
EB-300-B	300	12	25
EB-350-B	350	14	25
EB-30-C	30	2	15
EB-40-C	40	2.7	15
EB-55-C	55	3.7	15
EB-75-C	75	5	15
EB-90-C	90	6	15
EB-120-C	120	8	15
EB-150-C	150	10	15
EB-200-C	200	13.3	15
EB-250-C	250	16.7	15

EC Spring Mount

7/08

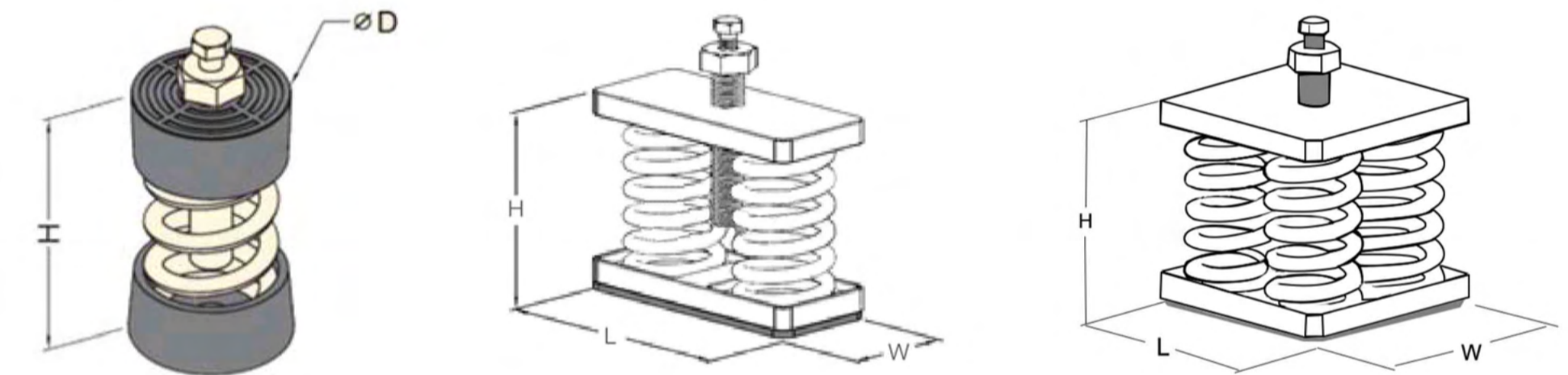
Feature:

- Quick and easy installing.
- Mainly used with an inertial base as an open spring mount.



Application:

- Air Blowers, Pumps, Cooling Towers



Type	Size (mm)		Fixed Bolt Size
	H	D	
EC-A	150	86	M12
EC-B	170	100	M12

Style	Size (mm)			Fixed Bolt Size
	L	W	H	
EC-2A	220	80	140	M12
EC-2B	220	100	178	M12
EC-4B	200	200	178	M12

Type	Loading Capacity(kg)	Spring Rate(kg/mm)	Deflection(mm)
EC-100-A	100	4	25
EC-150-A	150	6	25
EC-200-A	200	8	25
EC-250-A	250	10	25
EC-300-A	300	12	25
EC-350-A	350	14	25
EC-400-A	400	16	25
EC-450-A	450	18	25

EC Spring Mount

Type	Loading Capacity(kg)	Spring Rate(kg/mm)	Deflection(mm)
EC-500-A	500	20	25
EC-600-A	600	24	25
EC-700-A	700	28	25
EC-850-A	850	34	25
EC-1000-A	1000	40	25
EC-100-B	100	2	50
EC-200-B	200	4	50
EC-300-B	300	6	50
EC-400-B	400	8	50
EC-500-B	500	10	50
EC-600-B	600	12	50
EC-700-B	700	14	50
EC-800-B	800	16	50
EC-900-B	900	18	50
EC-1000-B	1000	20	50
EC-1000-2A	1000	40	25
EC-1200-2A	1200	48	25
EC-1400-2A	1400	56	25
EC-1700-2A	1700	68	25
EC-2000-2A	2000	80	25
EC-1200-2B	1200	24	50
EC-1400-2B	1400	28	50
EC-1600-2B	1600	32	50
EC-1800-2B	1800	36	50
EC-2000-2B	2000	40	50
EC-2400-4B	2400	48	50
EC-3200-4B	3200	64	50
EC-3600-4B	3600	72	50
EC-4000-4B	4000	80	50
EC-4800-4B	4800	96	50

ED Spring Mount

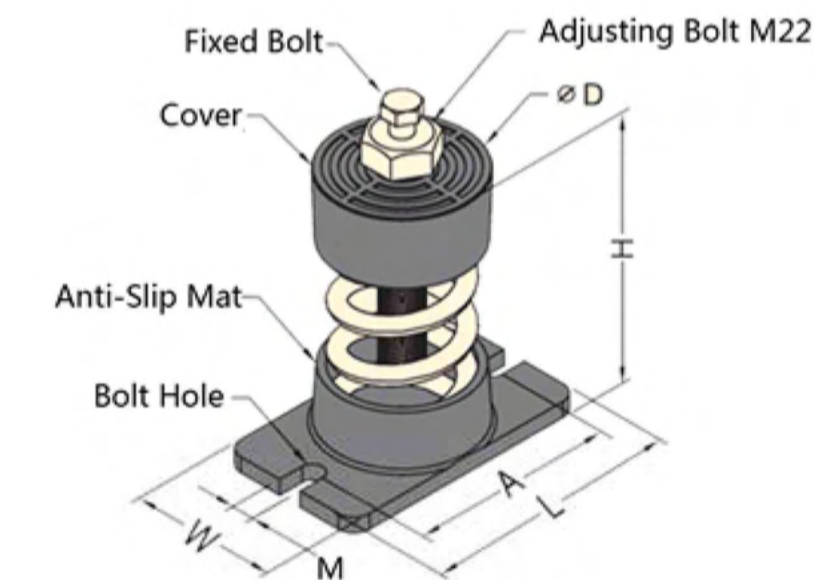
9/10

Feature:

- Quick and easy installing.
- Mainly used with an inertial base as an open spring mount.

Application:

- Air Blowers, Pumps, Cooling Towers



Type	Size (mm)					Fixed Bolt Size
	L	W	A	H	øD	
ED-A	97.5	57.5	72.5	75	55	M10
ED-B	145	83	116	154	83	M12

Type	Loading Capacity(kg)	Spring Rate(kg/mm)	Deflection(mm)
ED-12-A	12	0.8	15
ED-18-A	18	1.2	15
ED-30-A	30	2	15
ED-40-A	40	2.7	15
ED-55-A	55	3.7	15
ED-75-A	75	5	15
ED-90-A	90	6	15
ED-120-A	120	8	15
ED-150-A	150	10	15
ED-200-A	200	13.3	15
ED-250-A	250	16.7	15
ED-150-B	150	6	25

Type	Loading Capacity(kg)	Spring Rate(kg/mm)	Deflection(mm)
ED-200-B	200	8	25
ED-250-B	250	10	25
ED-300-B	300	12	25
ED-350-B	350	14	25
ED-400-B	400	16	25
ED-450-B	450	18	25
ED-500-B	500	20	25
ED-600-B	600	24	25
ED-700-B	700	28	25
ED-850-B	850	34	25
ED-1000-B	1000	40	25

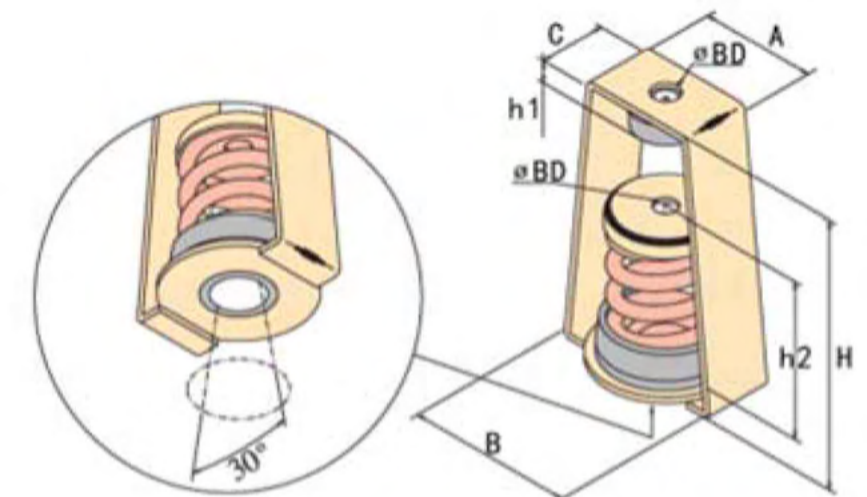
EHS Spring Mount

Feature:

- Neoprene Bushing for Upper Mounting Rod With Deflection Scale
- Fail Safe Design
- Reduce Noise and Absorb Vibration
- Wide Load Range Available

Application:

- Hanging Fan, Suspended Air Conditioning Box, Suspended Air Pipe, Suspended Ceiling etc.



Style	Size(mm)						BD
	A	B	C	h1	h2	H	
EHS-A	37	50	25	7	45	80	10
EHS-B	40	60	28	7	65	110	10
EHS-C	70	90	40	15	90	150	12
EHS-D	86	120	50	15	130	200	16

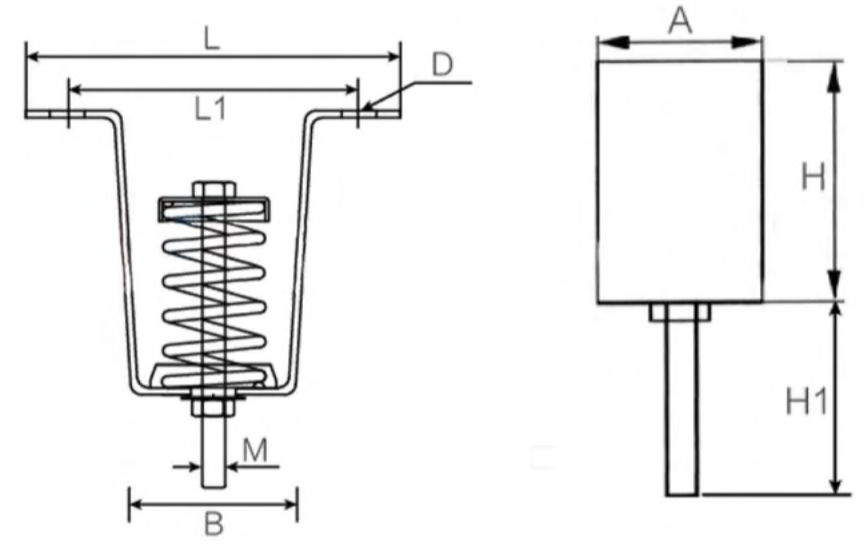
Style	Loading Capacity (kgs)	Spring Rate (kg/mm)	Deflection (mm)
EHS-05-A	5	0.2	25
EHS-010-A	10	0.4	25
EHS-015-A	15	0.6	25
EHS-025-A	25	0.9	25
EHS-030-B	30	1.2	25
EHS-050-B	50	2	25
EHS-120-C	120	4.8	25
EHS-150-C	150	6	25
EHS-180-C	180	7.2	25
EHS-250-C	250	10	25

Style	Loading Capacity (kgs)	Spring Rate (kg/mm)	Deflection (mm)
EHS-300-C	300	12	25
EHS-300-D	300	12	25
EHS-350-D	350	14	25
EHS-400-D	400	16	25
EHS-500-D	500	20	25
EHS-600-D	600	24	25
EHS-700-D	700	28	25
EHS-800-D	800	34	25
EHS-1000-D	1000	40	25

EHD Spring Mount 11/12

Application :

- Fans, Precision Instruments and Meters



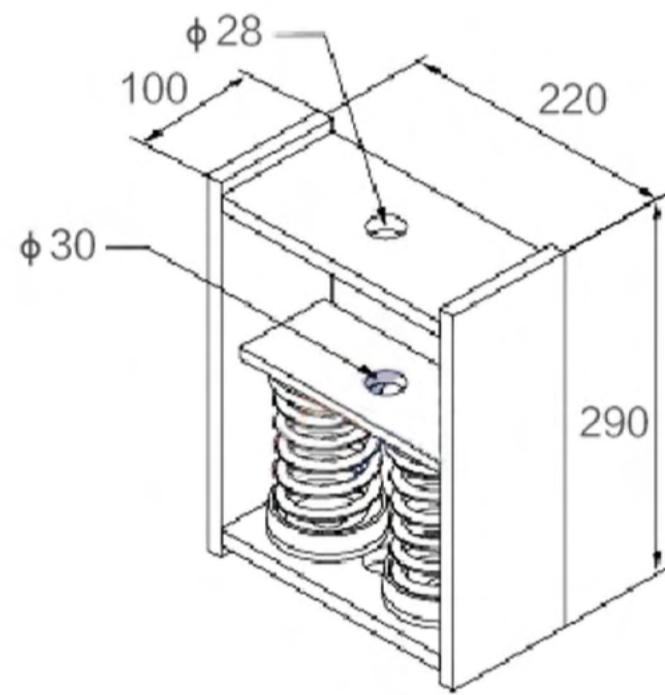
Style	Size(mm)						Fixed Bolt Size
	L	L1	A	H	H1	D	
EHD-C	182	151	60	140	40	14	M12

Style	Loading Capacity (kgs)	Spring Rate(kg/mm)	Deflection(mm)
EHD-020-C	20	0.8	25
EHD-030-C	30	1.2	25
EHD-050-C	50	2	25
EHD-070-C	80	2.8	25
EHD-090-C	100	3.6	25
EHD-120-C	130	4.8	25
EHD-150-C	150	6	25
EHD-180-C	180	7.2	25
EHD-250-C	250	10	25
EHD-300-C	300	12	25
EHD-350-C	350	14	25
EHD-400-C	400	16	25

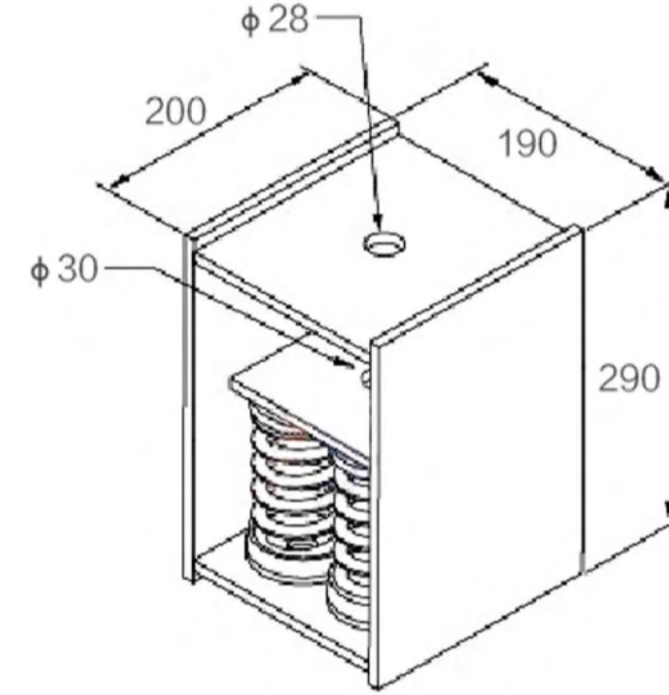
EHF Spring Mount

Application :

- Hanging Air-Conditioning Box, Exhaust Fan, All kinds of air pipe hanger, water pipe hanging pipe, hanging HAVC equipment, heavy machinery



EHF-2



EHF-4

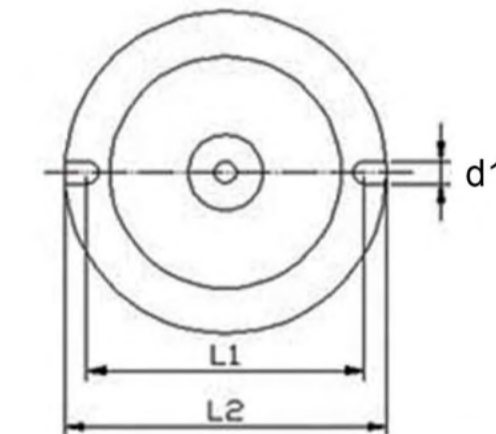
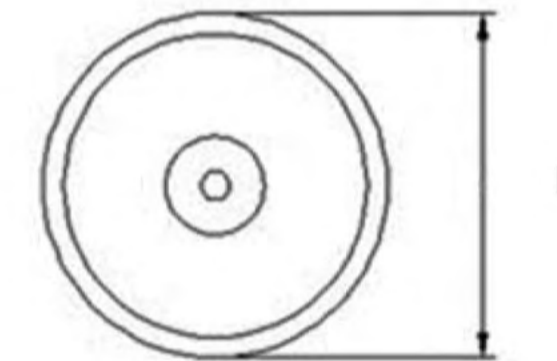
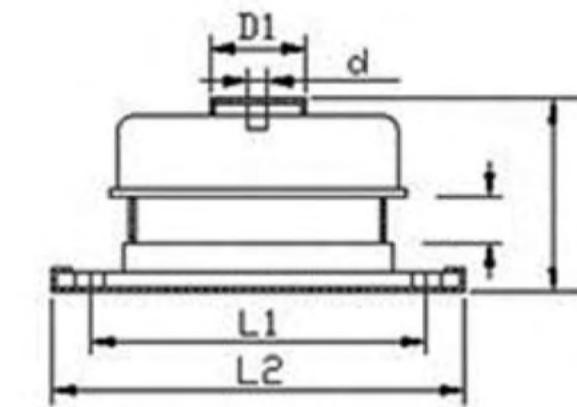
Type	Loading Capacity(kg)	Spring Rate(kg/mm)	Deflection(mm)
EHF-2-1000A	1000	40	25
EHF-2-1200A	1200	48	25
EHF-2-1400A	1400	56	25
EHF-2-1600A	1600	64	25
EHF-2-1800A	1800	72	25
EHF-2-2000A	2000	80	25
EHF-4-1600A	1600	64	25
EHF-4-2000A	2000	80	25
EHF-4-2400A	2400	96	25
EHF-4-2800A	2800	112	25
EHF-4-3200A	3200	128	25
EHF-4-4000A	4000	160	25

EE Spring Mount

13/14

Application:

- Circulating pump

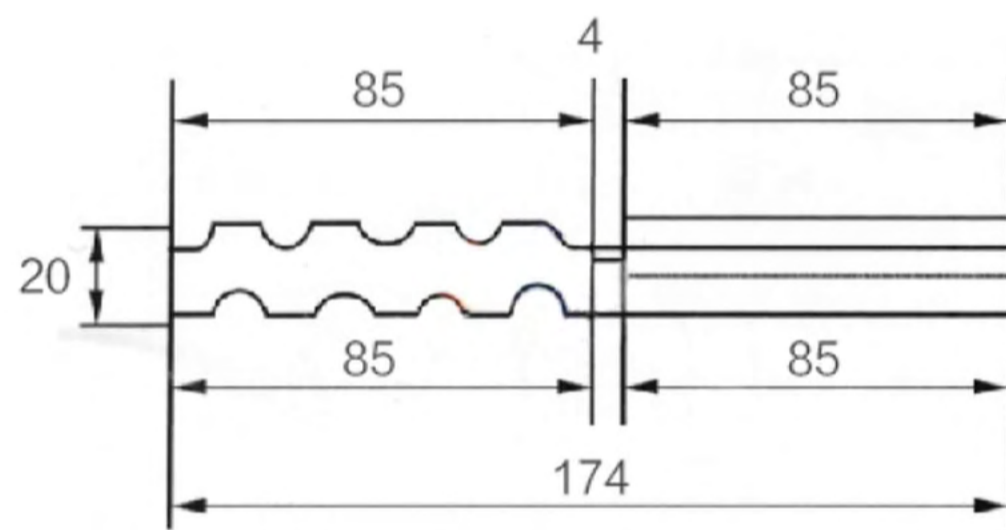


Style	Loading Capacity (kgs)	Spring Rate(kg/mm)	Deflection(mm)	Size(mm)					
				H	D	L1	L2	d	d1
EE-12	12	0.8	15	70	76	75	90	12	8x14
EE-18	18	1.2	15	70	76	75	90	12	8x14
EE-40	40	2.67	15	70	76	75	90	12	8x14
EE-55	55	3.67	15	70	76	75	90	12	8x14
EE-80	80	4	20	110	103	100	120	12	10x14
EE-120	120	6	20	110	103	100	120	12	10x14
EE-160	160	8	20	110	103	100	120	12	10x14
EE-240	240	12	20	110	103	100	120	12	10x14
EE-320	320	12.8	25	140	140	135	165	14	12x23
EE-480	480	19.2	25	140	140	135	165	14	12x23
EE-640	640	25.6	25	140	140	135	165	14	12x23
EE-820	820	32.8	25	150	205	192	240	16	14x21
EE-1000	1000	40	25	150	205	192	240	16	14x21
EE-1280	1280	51.2	25	150	205	192	240	16	14x21
EE-1500	1500	60	25	150	205	192	240	16	14x21
EE-2000	2000	80	25	150	205	192	240	16	14x21
EE-2700	2700	108	25	150	280	235	280	20	16
EE-3500	3500	140	25	150	280	235	280	20	16

ESD Spring Mount

Application :

·Pumps,Fans,Compressors,Chilters,Diesel Engines,etc



Isolation rubber hardness	Number of isolation pads	Insertion loss (dB) acceleration		Vertical load
		31.5-400 Hz	Linear	
40°	1	11~30	31	0.05~0.12 (0.5~1.2)
	2	11~28	26	
	3	7~38	26	
	4	11~34	31	
60°	1	10~32	31	0.2~0.3 (2.0~3.2)
	2	6~32	31	
	3	10~33	26	
	4	8~33	31	
80°	1	5~22	8	0.1~0.8 (4.0~8.0)
	2	9~22	22	
	3	12~29	20	
	4	7~29	23	

EDF Spring Mount

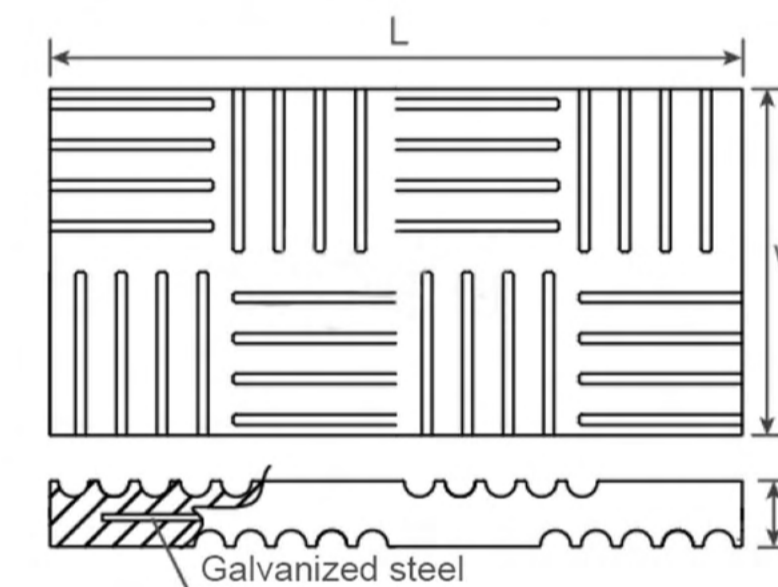
15/16

Features:

·EDF is an upgrade of ESD model with build in steel plate,it has good shock absorption effect and large loading capacity.The Service life is two times longer than model ESD.

Application :

·Heavy Equipments



Style	E			Spring Rate(kg/mm)	Loading Capacity(kg)
	L	W	H		
EDF340	340	170	30	268	1000~2000
EDF170	170	170	30	134	500~1000